

INSTALLATION AND SAFETY INSTRUCTIONS

FOR YOUR SAFETY

WARNING: BE SURE THE ELECTRICITY TO THE WIRES YOU ARE WORKING ON IS SHUT OFF; EITHER THE FUSE IS REMOVED OR THE CIRCUIT BREAKER IS SHUT OFF. GENERAL You don't need special tools to install this fixture. Be sure to follow the steps in the order given. Under no circumstances should a fixture be hung on house electrical wires, nor should a swag type fixture be installed on a ceiling which contains a radiant type heating system. Read instructions carefully. If you are unclear as to how to proceed, consult a qualified electrician. NOTE: Proper wiring is essential for the safe operation of this fixture.

GENERAL

You don't need special tools to install this fixture. Be sure to follow the steps in the order given. Under no circumstances should a fixture be hung on house electrical wires, nor should a swag type fixture be installed on a ceiling, which contains a radiant type heating system. Read instructions carefully. If you are unclear as to how to proceed, consult a qualified electrician.

NOTE: Proper wiring is essential for the safe operation of this fixture.

FIXTURE ASSEMBLY

Carefully removed the fixture from the carton and check that all parts are included as shown in figure. Be careful not to misplace any of the screws or parts, which are needed to install this fixture.

INSTALLATION

IMPORTANT: Do not attach fixture directly to outlet box.

Proceed to connect wires:

GROUNDING INSTRUCTIONS
STEP 1: Insert the green grounding screw into the hole with two raised dimples on the circular strap. Wrap the ground wire from the fixture (if supplied) around the green grounding screw, then connect it to ground wire from the outlet box (if not fixed on the outlet box) using a wire connector (not supplied). If ground wire from the fixture is not supplied, wrap the ground wire (if not fixed on the outlet box) from the outlet box around the green grounding screw and tighten it.

STEP 2: By installing the screw (N) (not included), Install the mounting plate.

NEVER CONNECT GROUND WIRE TO BLACK OR WHITE POWER SUPPLY WIRES.

FINAL ASSEMBLY

Step 1: Fasten the mounting frame (M) to ceiling. Be sure that the frame is mounted securely to the building structure using long thick wood screws (Not included, #10 or greater recommended). Wood screws should be long enough to be in the wood structure at least 1.5" (not including frame, drywall/plaster, or wall cladding). When needed refer to page 2 for extra fastening/safety cable fastening instructions when applicable.

Step 2: Tuck excess wire inside of the junction box. Raise the canopy (I) to the mounting frame (M). Be sure that no loose wires are being pinched. Fasten the canopy (I) in place with Finial(s) (E)

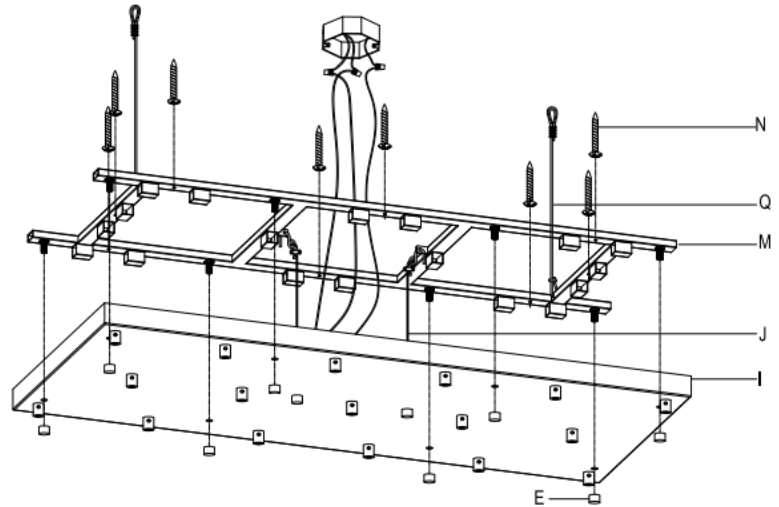
CLEANING

To clean wipe fixture with a soft cloth. Clean glass with a mild soap. Do not use abrasive materials such as scouring pads or powders, steel wool or abrasive paper.

ORDERING PARTS

Keep this sheet for future reference, and in case you need to order replacement parts. All parts for this fixture can be ordered from place of purchase. Be sure to use exact wording from illustration when ordering parts.

Line art shown may not exactly match the fixture enclosed. However, the installations do apply to this fixture.
ITEM NO: CP4217L



GROUP A: Connect to Black House Wire	GROUP B: Connect to White House Wire
BLACK	WHITE
*PARALLEL WIRE (round & smooth)	*PARALLEL WIRE (square & ridged)
WHITE OR GREY WITH TRACER	WHITE OR GREY WITHOUT TRACER
BROWN GOLD OR BLACK WITHOUT TRACER	BROWN, GOLD OR BLACK WITH TRACER

In Instruction This fixture is provided with Safety Cables. The Safety Cable provides a back up system the mounting frame and the installation hardware. It is essential that the Safety Cable be properly installed. The Cable must be secured to a STRUCTURAL MEMBER of the building, and not to the outlet box. The Cable must be terminated with Steel cable lock kit specifically sized for the Cable per the following steps:

1. Insert enough cable through a hole of lock bushing
2. Attach the safety Cables from mounting frame to the Structural Member of building directly
- 3 Wrap the Cable around the building Structural Member as many as you can, then pull the safety cable end tight, inserting into the other one hole of of lock bushing secure the two screws tight into the lock bushing with screwdriver. Make sure the safety cable doesn't slip back

This is a sketch for only Safety Cable mounting, The Cable must be secured to a STRUCTURAL MEMBER of the building, and not to the outlet box.

Remark: Pis make sure all hardware is properly tightened and that the cable is positioned clear of any obstructions! Hook the mounting steel cables from the fixture ceiling pan on the mounting frame for making wire connections

