

# SEMI FLUSH FIXTURE INSTALLATION INSTRUCTIONS

Please read carefully and save these instructions, as you may need them a later date.

## CAUTION

Turn off the main power at the circuit breaker before installing the fixture, in order to prevent possible shock.

## GENERAL

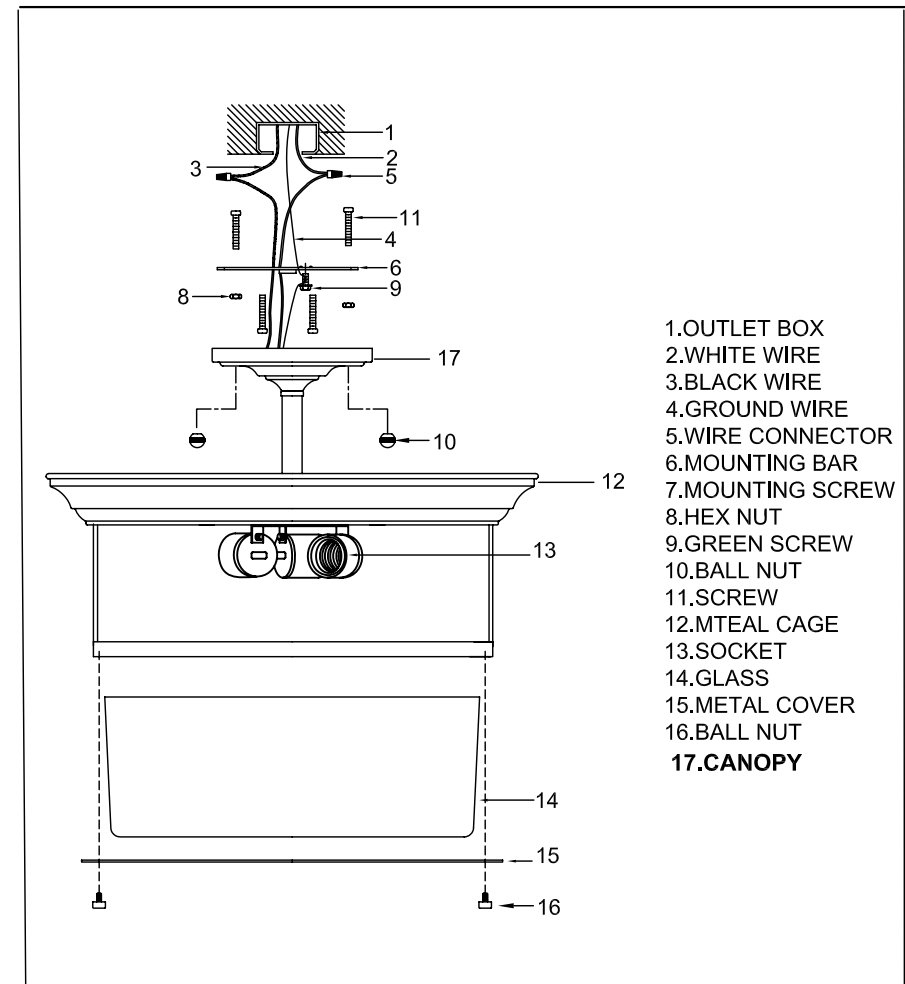
All electrical connections must be in accordance with local and National Electrical Code (N.E.C) standards. If you are unfamiliar with proper electrical wiring connections obtain the services of a qualified electrician.

Remove the fixture and the mounting package from the box and make sure that no parts are missing by referencing the illustrations on the installation instructions.

## ASSEMBLY AND INSTALLATION

1. Thread two Screws(11) to the Mounting bar(6) and secure with the hex nut(8).
2. Secure the mounting bar with mounting screw(7) to the outlet box(1).
3. Pull out the outlet wire and ground wire from the Outlet Box. Make wire connections:  
---Ribbed wire(w/o marking) from light to White Wire(2) from power source.  
---Smooth wire(w/ marking) from light to Black Wire(3) from power source.  
---Loop the Ground Wire(4) to Mounting bar(6) with a Green Screw(8).
4. Attach the Canopy(17) against the Outlet box, secure with the Ball nuts(10).
5. Install bulbs:(bulbs not included)  
(Please don't exceed the maximum capacity that recommended on the Sockets)
6. Place the Glass(14) into Metal cage(12), then place the Metal cover(15), secure with Ball nuts(16)

INSTALLATION IS NOW COMPLETED.



FOR ITEM 2002SF-BN/2003SF-CH/2004SF-BRZ